

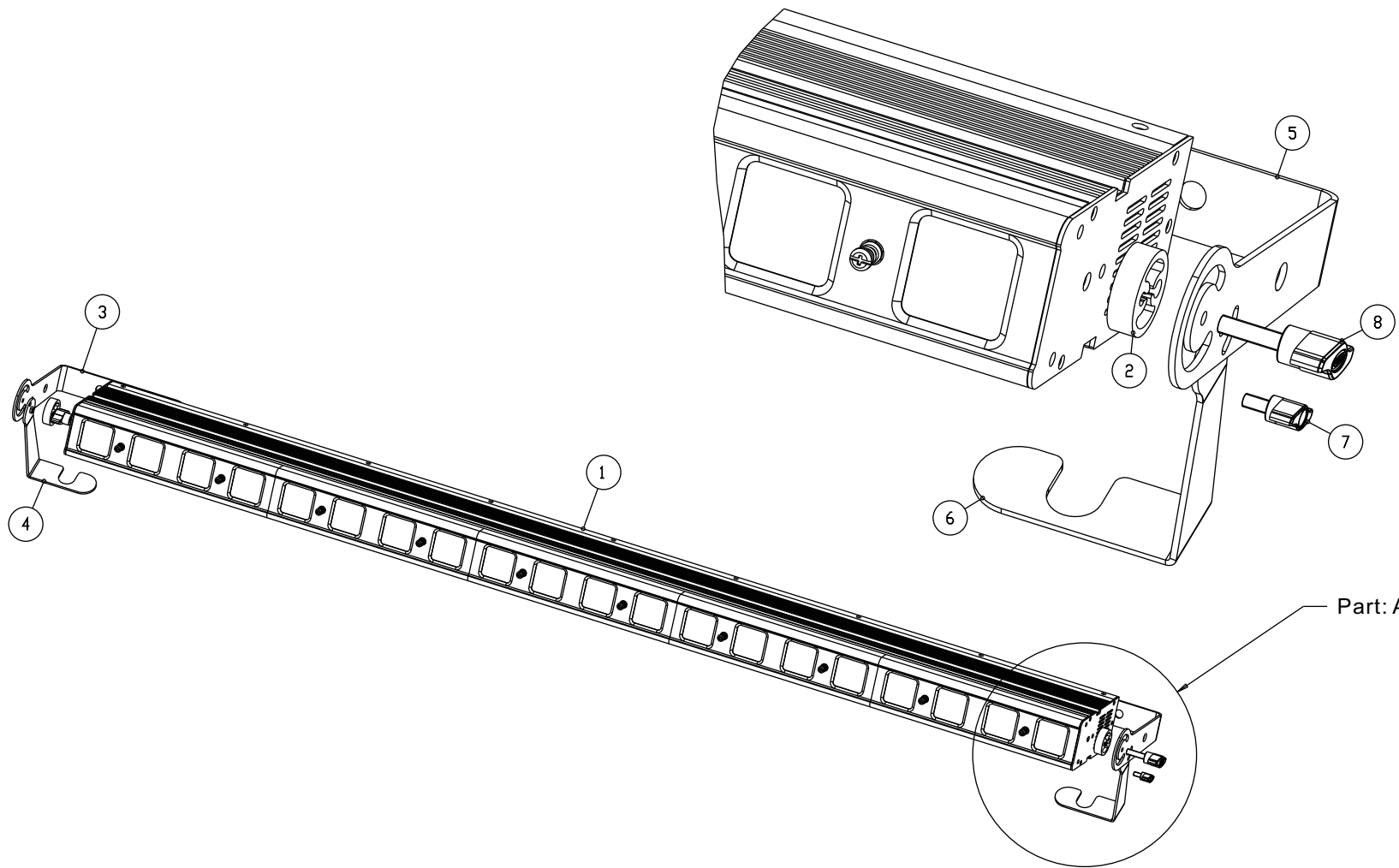
Service manual

DLED 60 TRI STRIP

- ※ **Exploded Diagrams**
- ※ **Circuit Diagrams**
- ※ **Wiring Diagrams**
- ※ **Parts List**

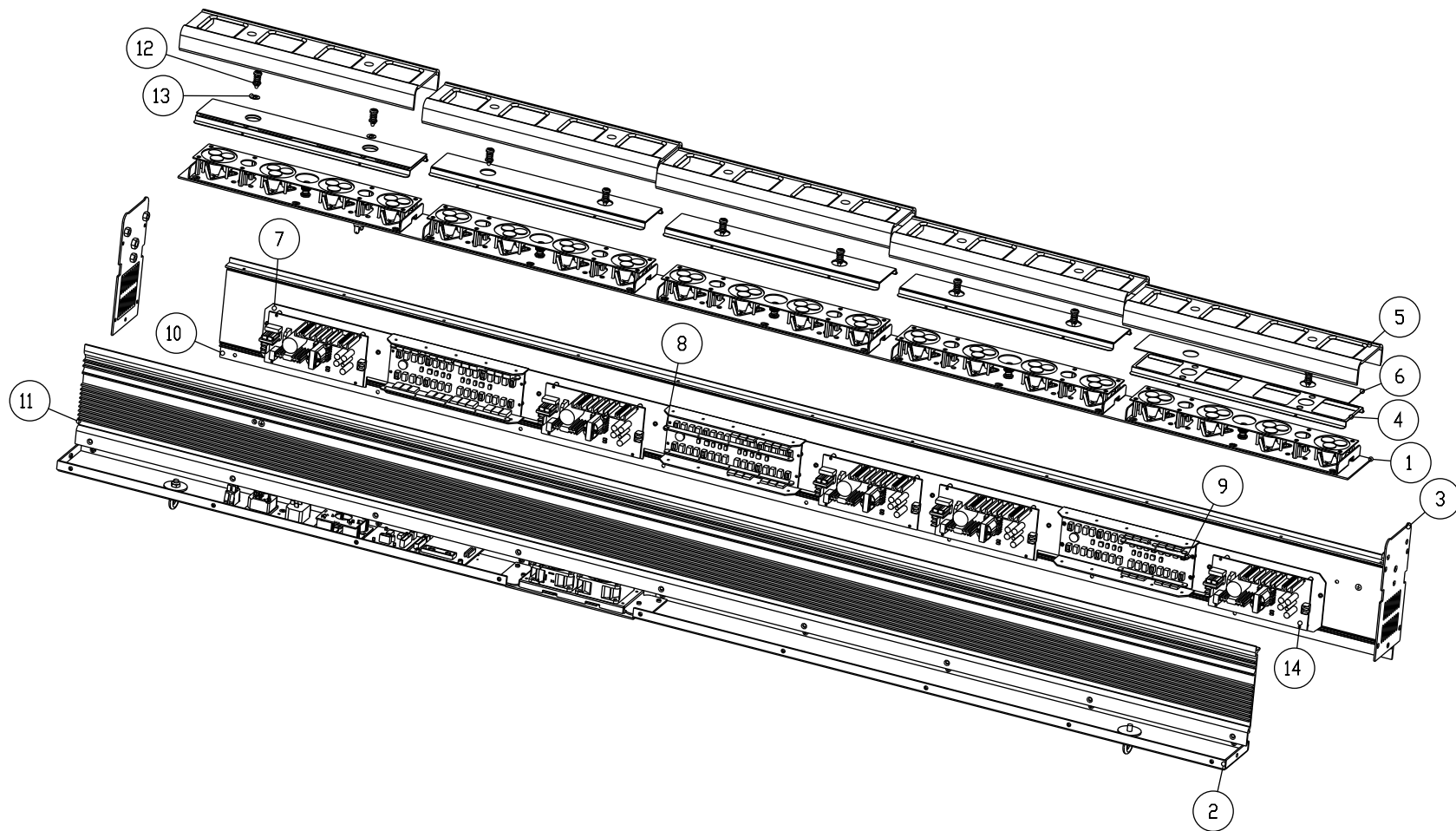


PRODUCT		DLED 60 TRI STRIP			
PIC. NO.		Front Page	Series No.	5005701-5005750	
EDIT		FILE NO.	HY-EXP-523A		
CHECK		ORDER NO.	SO20100518		
APPROVE		VERSION	A	SOFTWARE VER.	V1. 7

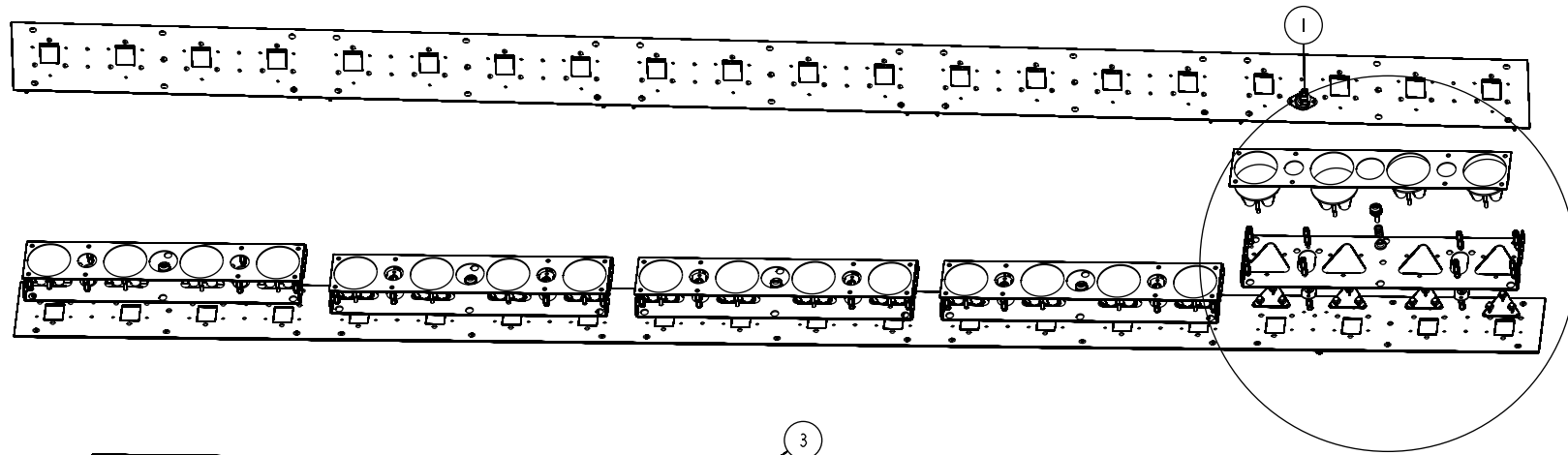


Part: A

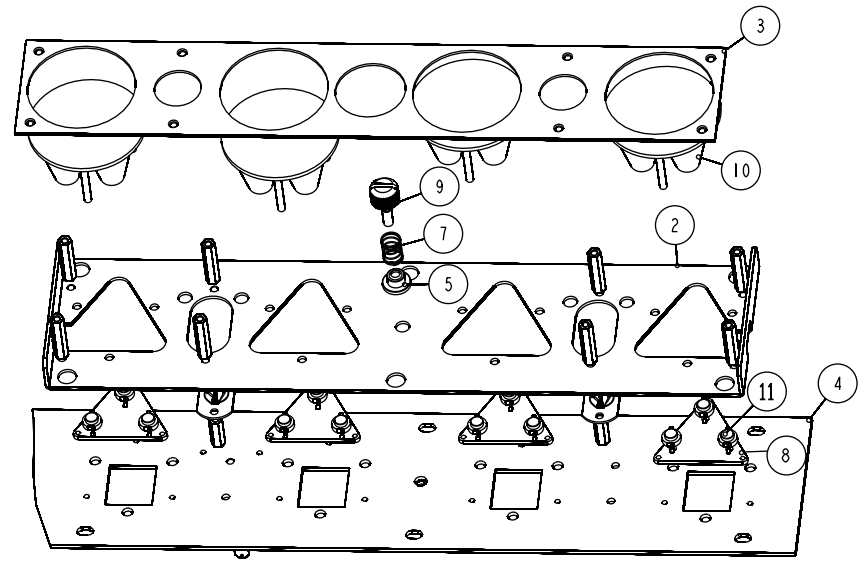
PRODUCT		DLED 60 TRI STRIP			
PIC. NO.		10-0082-00-00-00			
EDIT		FILE NO.	HY-EXP-523A	PAGE NO.	1/9
CHECK		VERSION	A	DATE	2011.01.18
APPROVE		ECN NO.		DATE	



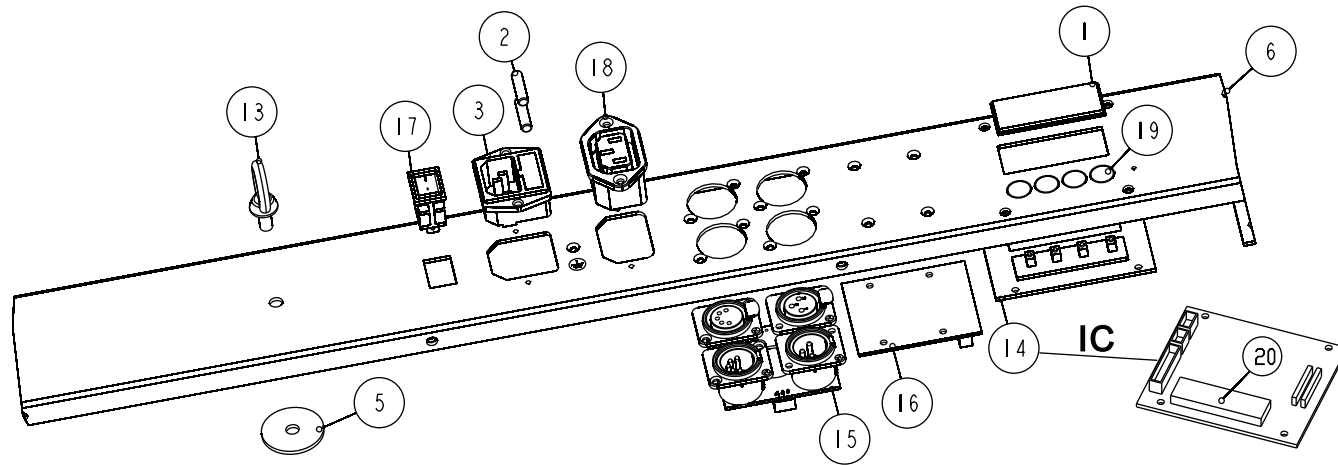
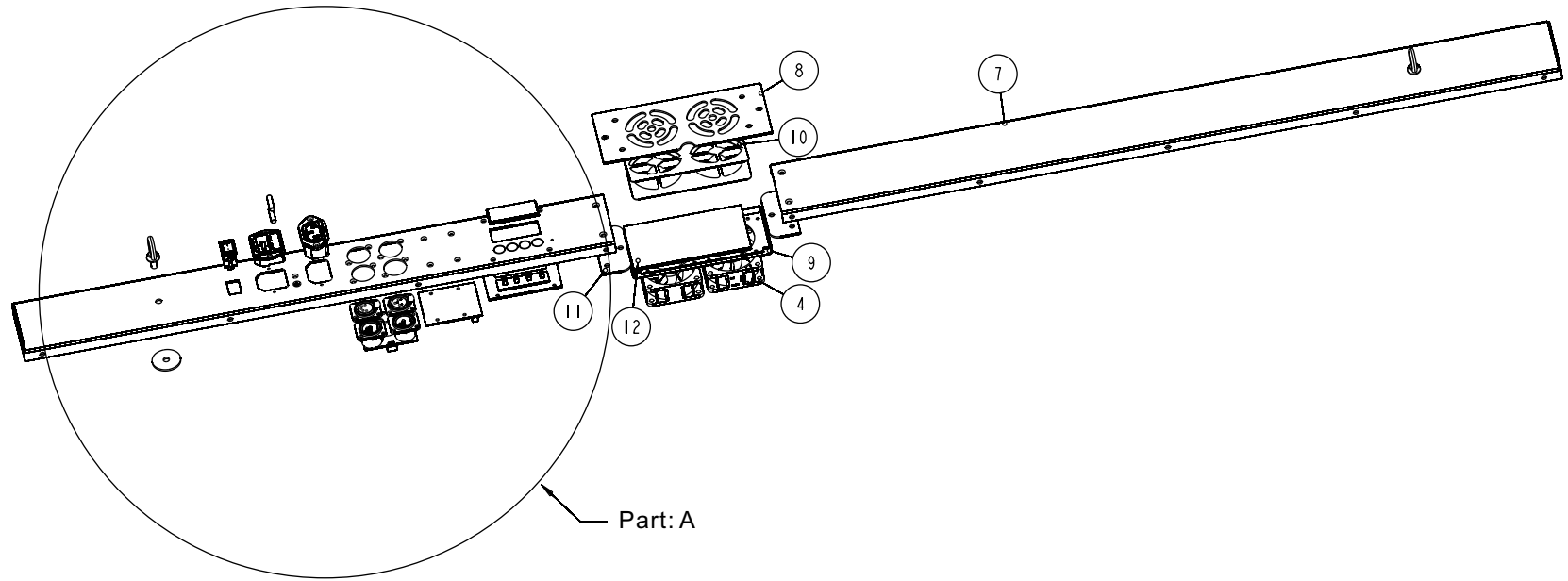
PRODUCT		DLED 60 TRI STRIP			
PIC. NO.		10-0082-01-00-00			
EDIT		FILE NO.	HY-EXP-523A	PAGE NO.	2/9
CHECK		VERSION	A	DATE	2011.01.18
APPROVE		ECN NO.		DATE	



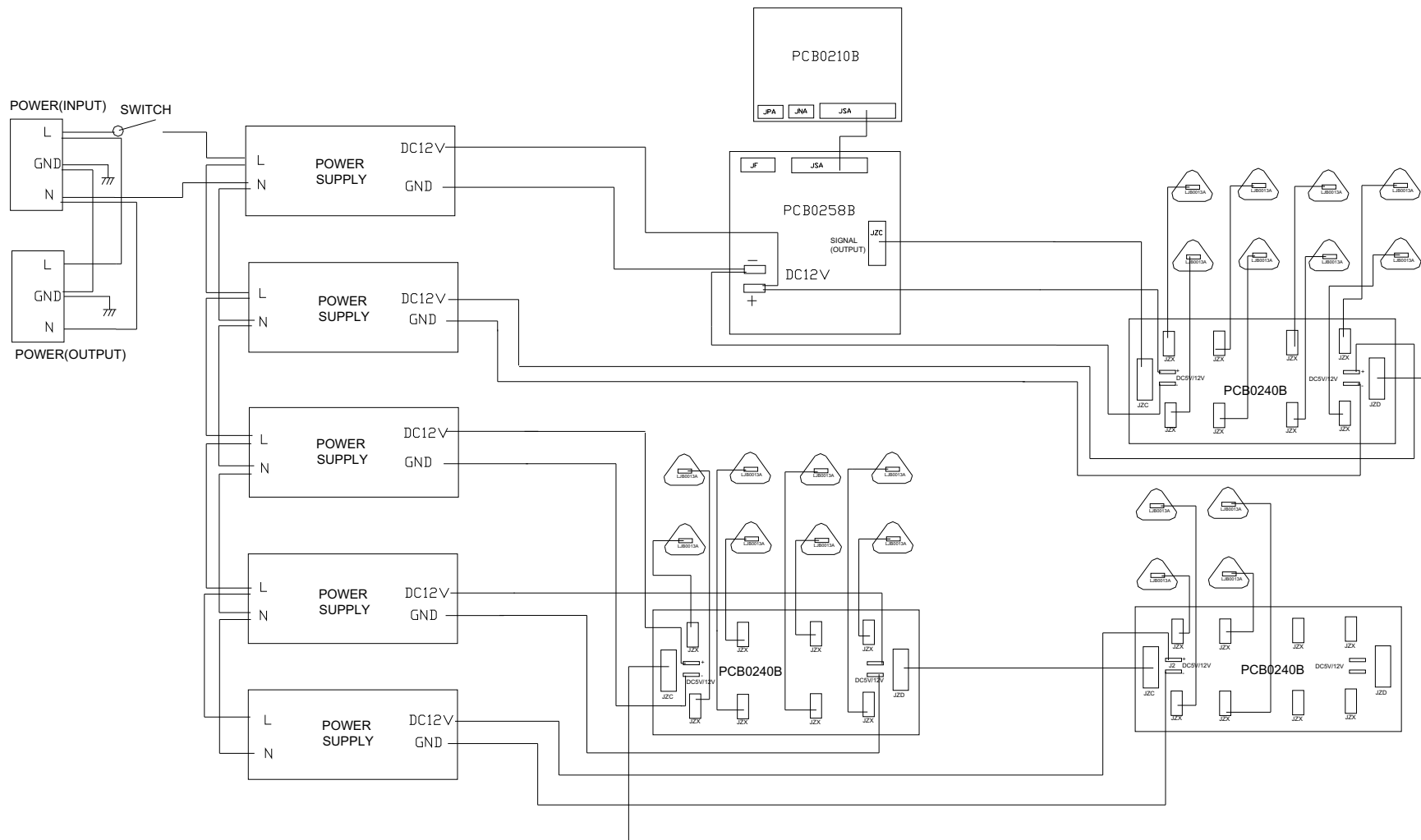
Part: A



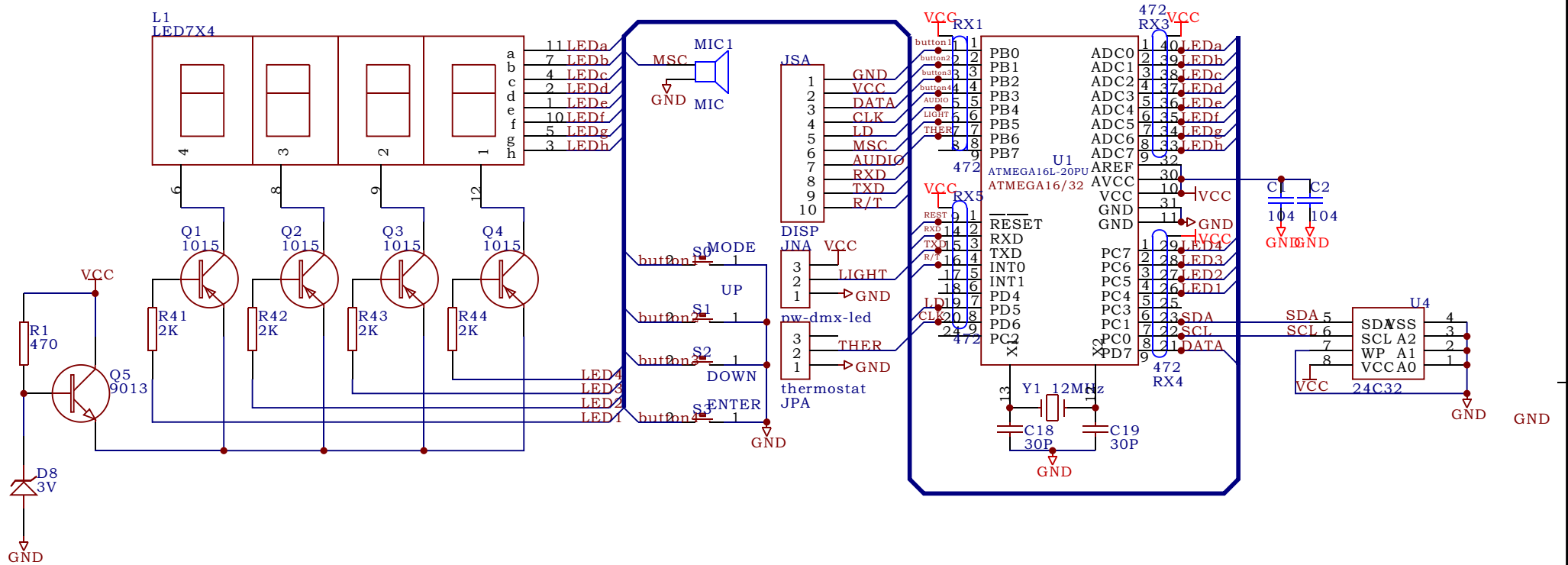
PRODUCT		DLED 60 TRI STRIP			
PIC. NO.		10-0082-01-01-00			
EDIT		FILE NO.	HY-EXP-523A	PAGE NO.	3/9
CHECK		VERSION	A	DATE	2011.01.18
APPROVE		ECN NO.		DATE	



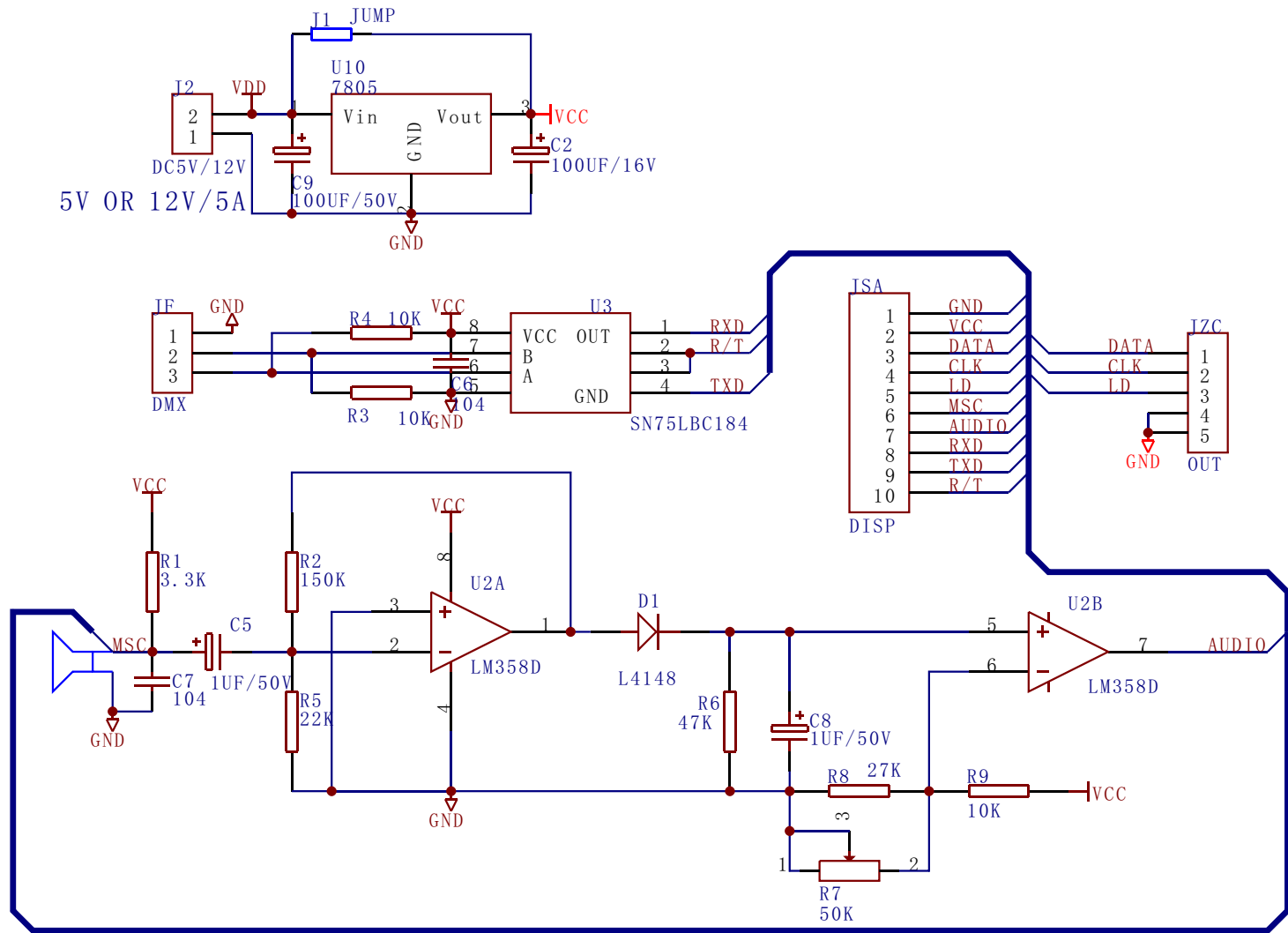
PRODUCT		DLED 60 TRI STRIP			
PIC. NO.		10-0082-01-02-00			
EDIT		FILE NO.	HY-EXP-523A	PAGE NO.	4/9
CHECK		VERSION	A	DATE	2011.01.18
APPROVE		ECN NO.		DATE	



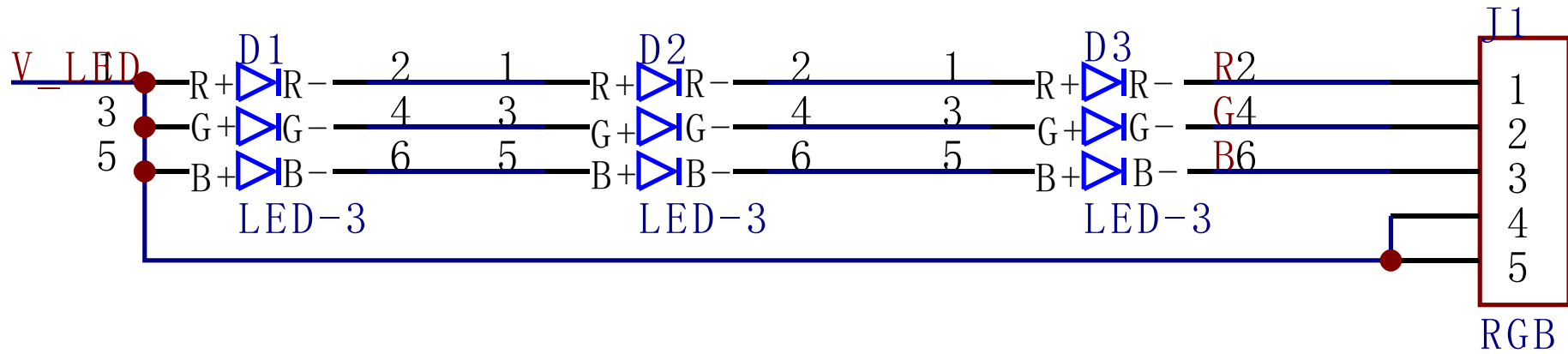
PRODUCT		DLED 60 TRI STRIP			
PIC. NO.		DLED 60 TRI STRIP ELECTRIC			
EDIT		FILE NO.	HY-WIJL-G032	PAGE NO.	5/9
CHECK		VERSION	B	DATE	2011.01.18
APPROVE		ECN NO.		DATE	



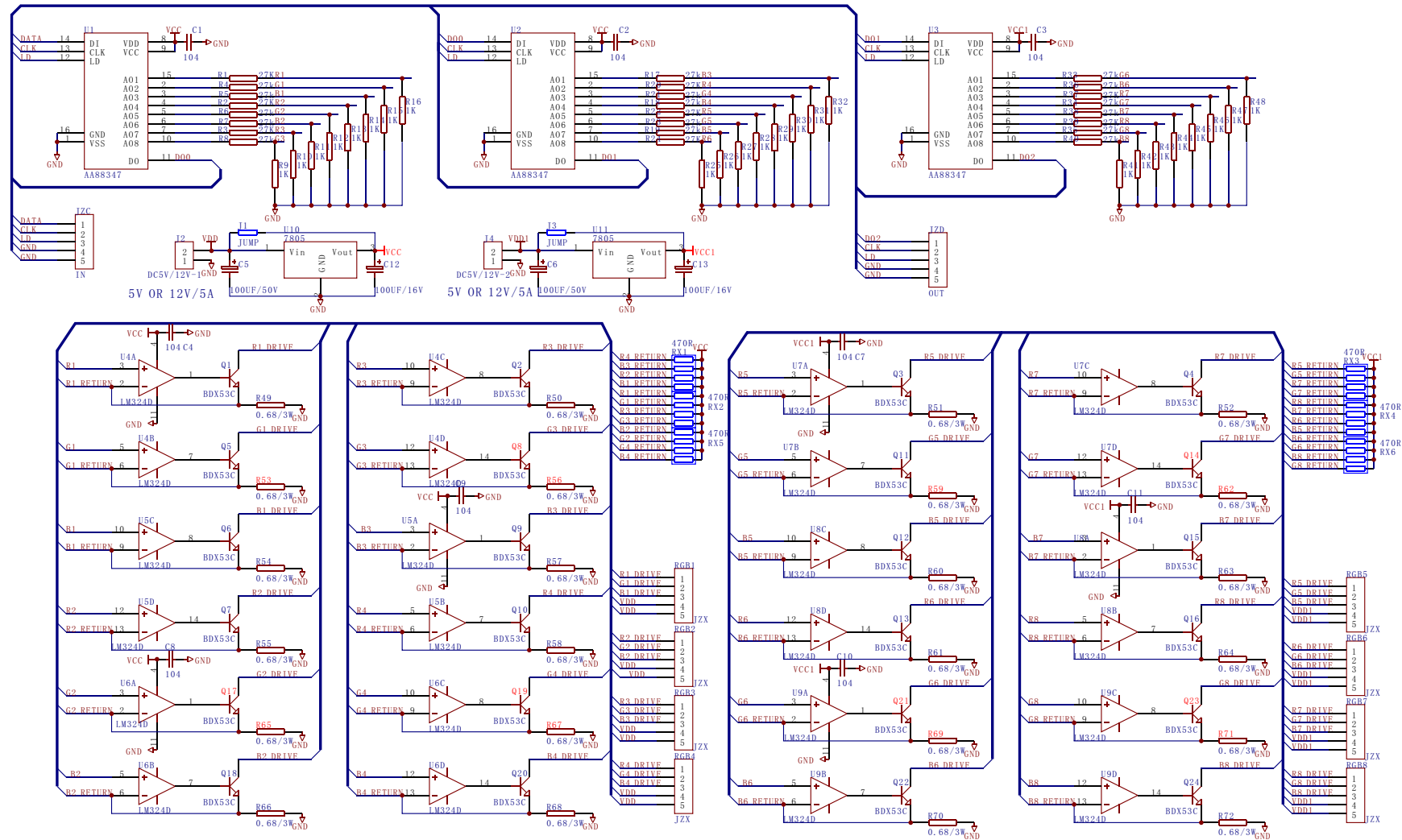
PRODUCT		DLED 60 TRI STRIP			
PIC. NO.		PCB0210B SCHEME			
EDIT		FILE NO.	HY-WIEC-0746	PAGE NO.	6/9
CHECK		VERSION	NR	DATE	2011.01.18
APPROVE		ECN NO.		DATE	



PRODUCT		DLED 60 TRI STRIP			
PIC. NO.		PCB0258BScheme			
EDIT		FILE NO.	HY-WIEC-0570	PAGE NO.	7/9
CHECK		VERSION	NR	DATE	2011.01.18
APPROVE		ECN NO.		DATE	



PRODUCT		DLED 60 TRI STRIP			
PIC. NO.		LJB0013A SCHEME			
EDIT		FILE NO.	HY-WIEC-0309	PAGE NO.	8/9
CHECK		VERSION	NR	DATE	2011.01.18
APPROVE		ECN NO.		DATE	



PRODUCT		DLED 60 TRI STRIP			
PIC. NO.		PCB0240B SCHEME			
EDIT		FILE NO.	HY-WIEC-0409	PAGE NO.	9/9
CHECK		VERSION	NR	DATE	2011.01.18
APPROVE		ECN NO.		DATE	